



SM-747DBT



USER OPERATION MANUAL

TABLE OF CONTENTS

Safety Information	1
Park Wire/Brake Wire	1
Installation and Removal	2
Maintenance, Playable DISC, DVD Care, MP3	3
Replacing Remote Control Battery.....	3
Remote Control	4
Remote Control Functions	5
Front Panel	6
Front Panel Functions	7
Rear or Front Camera (<u>Important to know</u>)	8
Basic Setup	8-10
Radio Mode	11
CD/MP3 CD DISC Mode	11
DVD DISC Mode	12
USB/SD Mode	12
Auxiliary Mode	12
Trouble Shooting	13
Specifications	14
Accessories	15

SAFETY INFORMATION

Please read this manual thoroughly and keep in your vehicle for easy future reference. We highly recommend that you find a licensed professional installer for the installation of this product, it is illegal and unsafe to watch DVD player while driving.

CAUTION: This unit is a class 1 Laser Product. To prevent direct exposure to Laser system, DO NOT OPEN the unit. The Laser Beam may hurt or damage your eyes. If the unit requires adjustments, please contact Sumas Media.

Use This Product Safely

Make sure you fully understand the following safety information:

When Driving

Keep the unit at an appropriate sound level. Driving with the sound at a level that prevents you from hearing the sounds outside and around the car may cause an accident.

When cleaning your interior

Do not expose the product to any type of liquid or excessive moisture. This could cause short circuit, fire or other severe damage to the unit or you vehicle.

When Parked

Parking in direct sunlight, especially in the summer time can produce very high temperature inside you vehicle. This may cause the unit to not work properly. Let the interior of your car to cool down before turning on the unit.

Note: Do not use or store player in dusty, high temperature or high humidity environments.

Park wire/Brake wire

Park wire is to connect to your parking brake (Hand brake) or your unit will not function, also for your safety; when car is operate it will restrict you to play/watch DVD movies while driving, display shows: "Picture off for safety".

But some make or model of automobile if you have problem to connect to your brake, you can also ground this wire to your car's chassis, unit will play; but restriction will be disabled, so please do not watch your unit while driving!

Replacing the Fuse

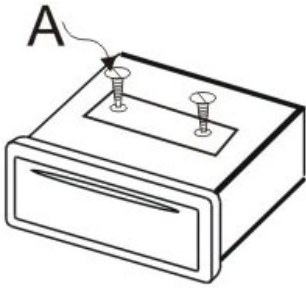
When replacing the fuse, be sure to use one matching the amperage rating stated on the original fuse.



WARNING!

NEVER replace any Fuse with higher amperage than the original. This may cause damage to your unit and/or your vehicle's electrical wiring.

INSTALLATION



Note: Remove the shipping protection two screws (A) before installing and operating the unit.

- This unit is designed for 12V DC, negative ground operation system only.
- When replacing a fuse, be sure to use one matching the amperage rating stated on the original fuse. Using a fuse with the wrong Rating may cause your unit not function correctly or even cause electrical shortage
- The negative battery terminal must be disconnected before making connections, which can reduce damaging the unit due to short circuit.
- Be sure to connect the color coded leads correctly according to the wiring diagram. Incorrect connections may cause damage or malfunction and may damage the vehicle's electrical system.
- Be sure to connect the speaker (-) leads to the speaker (-) terminal, and the speaker (+) leads to the speaker (+) speaker terminal and so on. Never connect the left and right channel speaker cables to each other or to the vehicle body.
- Do not block the vents or radiator panels. Blocking them will cause heat to build up inside and may damage your unit.
- After the completion of the installation. Plug in negative cable of vehicle to the (-) battery terminal. Then press the RESET button the front panel with a pointed object (such as ball-point pen) to set the unit to initial status. Please refer to page 6.



Unit Installation & Removal

Depending on the type of vehicle you have installation procedures and installation kit will vary. Above are a few examples of installations kits (NOT INCLUDED) and how the car DVD players mount onto them. Use the included installation bracket as needed.

Playable discs

DVD, Video CD and CD discs that display the logos shown below can be played back on this unit.



DVD video disc region numbers: 1 (This unit is for region one)

If you encounter region problems, please call our toll free service number on back page, we will help you resolve it.

DVD Care

If you use an irregular disc it may jam the DVD player or not play, for this reason only use round discs

Be sure to check all discs for cracks and scratches before playing, discs in those conditions will not play properly.

- Also, be sure to avoid the recorded (plain) side of the disk
- Store CDs in case when not in use to avoid scratching the disc.
- Keep discs out of direct sunlight (it will cause them to warp and crack)
- To clean the CDs wipe with a soft cloth from the inside of the disc outward

MP3

MP3 files on CD-ROM, CD-R and CD-RW are compatible with this unit.

Discs compatible with ISO9660 level one and two or with ROMEO and JULIET, recorded discs with the multi sections can also be played. MP3 files are incompatible with the transportation of read-in files.

The max character width of the folder name is 32. If the file is recorded through ROMEO and JULIET system, only the former 32 characters are displayed. While playing discs with MP3 and CD-DA, such as CD EXTRA and MIXED MODE CD the system can only switch between MP3 and CD-DA. The selected folder sequence of playing and other operations will be the sequence to write in the software. So the anticipated sequence of playing should not conflict with the actual playing sequence. However, there is, indeed some software that play sequence is allowed to be set. The file is compatible with Id3 label version 1.0 and 1.1, so as to display the music titles and authors. The enhancing function is valid only when playing MP3 in 32, 44.1 and 48 KHz sample frequencies 16,22,05,24, 32, 44.1 KHz can be played. The tone of MP3s file can usually be bettered when the bit rate is increased. This machine can play recordings between 8KBPS and 320 KBPS. However, in order to enjoy a good tone, we recommend discs over 128KBPS.

!!!!IMPORTANT!!!!

While naming an MP3 file, add relevant extending name .mp3

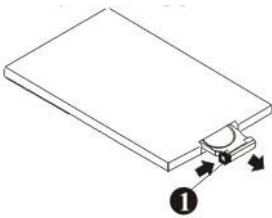
This machine will play files with .mp3 as MP3; do not use this extending name on non mp3 files so as avoid noises and other problems.

MP4

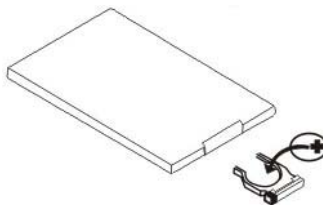
Due to new DivX version restriction on decoding, this unit will play most of the DivX format but some of the newer version will not. It can also play most of the .avi files with MPEG 4 codec.

Replacing Remote Control Battery

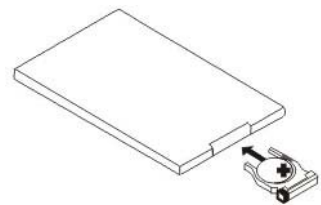
* When the range of the operation of the remote control becomes short or none functional at all. Replace the battery with a new button cell. Make sure to purchase the same size battery.



1. Pull out the Battery Holder while pressing the stopper.

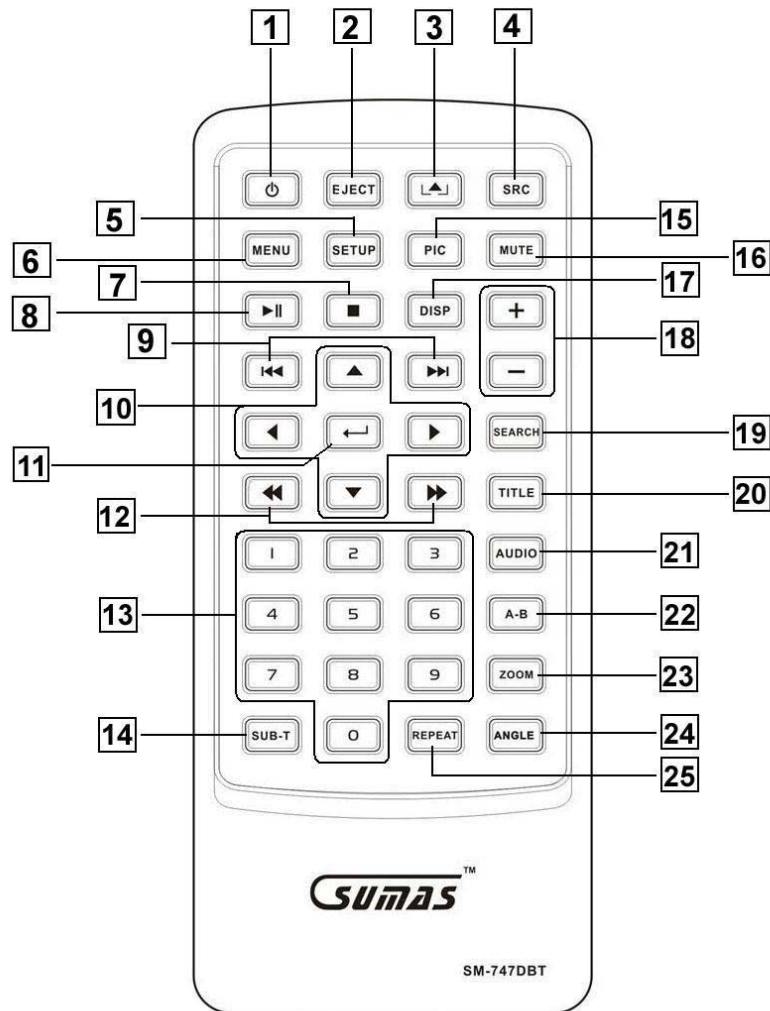


2. Put the button-type battery (+) mark upward into the battery holder.



3. Insert the Battery Holder into the Remote Control.

Remote Control

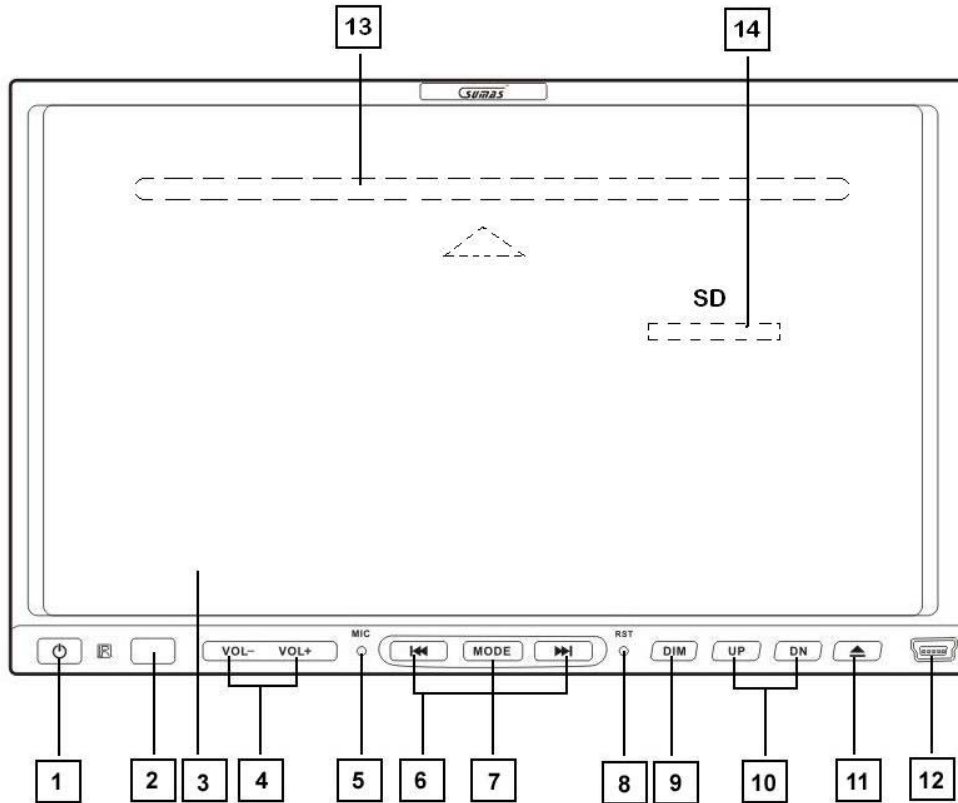


- | | |
|--|--------------------|
| 1. POWER | 13. 0-9 Number pad |
| 2. ▲ EJECT | 14. SUB-T |
| 3. OPEN/CLOSE LCD | 15. PIC |
| 4. SRC | 16. MUTE |
| 5. SETUP | 17. DISP |
| 6. MENU | 18. VOL + / VOL - |
| 7. ■ STOP | 19. SEARCH |
| 8. ▶ PLAY/PAUSE | 20. TITLE |
| 9. ◀▶ Previous/Next track/chapter,
radio station seek +\- | 21. AUDIO |
| 10. ▲▼◀▶ Directional keys | 22. A-B |
| 11. ↵ Enter | 23. ZOOM |
| 12. ◀▶ Fast forward/reverse | 24. ANGLE |
| | 25. REPEAT |

Remote Control Functions

1. **⏻ Power** – Press once to turn unit off press again to turn unit off
2. **⏏ EJECT** – Disc eject
3. **OPEN/CLOSE** – Open/Close/Adjust LCD panel
4. **SRC** – Source, Press switch to other modes
5. **SETUP** – Enter system setup
6. **MENU** – Enter main menu
7. **■** – Stop play
8. **▶||** - Play/Pause
9. **⏮ ⏭** - Skip chapters/tracks in disc mode, Radio station tuning (seek +\(-)
10. **▲▼◀▶** - Up/Down/Left/Right Direction keys
11. **↵** - Enter/confirm action
12. **⏮ ⏭** - Fast forward or reverse in disc play mode
13. **0-9** – Numeric Pad for preset radio station or to skip to track/chapters
14. **SUB-T** – Cycle through Subtitle options
15. **PIC** – Image adjustment
16. **Mute** – Enable/Disable sound
17. **DISP** – Shows info on what's playing
18. **VOL + / VOL -** – Turns volume up + or down –
19. **SEARCH** – Search for chapter/track
20. **TITLE** – Title menu while playing DVD's
21. **AUDIO** - Turning on Audio commentary, Different language (if available on DVD)
22. **A-B** – Repeat play, set A to B section to repeat play.
23. **ZOOM** – Zoom in to enlarge the video.
24. **ANGLE** – Viewing angle (DVD must support multiple viewing angles)
25. **REPEAT** – Repeat track/chapter/or the whole disc

Front Panel



1. ⏻ POWER/MUTE
2. IR Receiver
3. 7" Wide LCD Touch Screen
4. VOL + / VOL -
5. MIC
6. ⏮ ⏭ Previous/Next track/chapter, radio station seek +\-
7. MODE
8. RESET
9. DIMMER
10. UP/DN
11. EJECT
12. Mini USB Port

AND BEHIND THE FRONT PANEL:

13. CD Slot (behind the LCD panel)
14. SD card slot (behind the LCD panel)

Front Panel Features

1. **⏻ Power/MUTE** - To turn unit on/off and mute the volume
2. **IR Receiver** - Infrared receiver for remote control
3. **7"** - Wide LCD Touch Screen
4. **Vol + / Vol -** - Volume adjustment up/down
5. **MIC** – microphone for Bluetooth call function
6. **⏮ ⏭** - In CD/DVD/USB/SD mode, Previous/Next track/chapter, in radio mode, press to manually search for radio stations.
7. **MODE** – Press to change modes.
8. **RESET** – Press to reset unit to factory defaults.
9. **Dimmer** – Press repeatedly to quickly dim the display or make it brighter
10. **UP/DN** – LCD angle adjustment select from 4 different view angles.
11. **EJECT** – Press to eject or load CD/DVD/SD cards
12. **Mini USB Port** – Use included USB adapter to insert a USB flash drive.

AND BEHIND THE FRONT PANEL:

13. **DISC slot** – Insert CD/DVD/VCD/MP3 CD
14. **SD Card Slot** – Use standard SD cards

